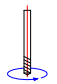
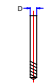
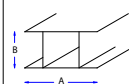
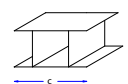
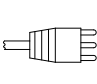
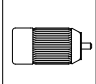

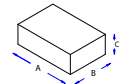
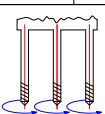
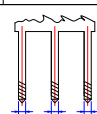
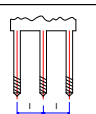
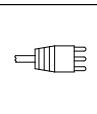
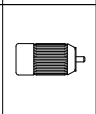
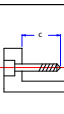
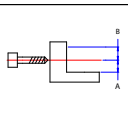
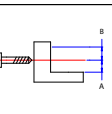




Dati Tecnici- Technical characteristics- Donnees techniques- Datos Tecnicos

TYPE								
FC/3F-M	12000 g/	D=8mm	A=400mm B=125mm	C=190mm	220-380 V 50 Hz	1 hp 0.75 Kw	150	A=700mm B=560mm C=1600mm
								
FC/3F-A	14000 g/ (2800 g/')	D=12mm d=10mm	l=22mm		220-380 V 50 Hz	0.75 Hp 0.50 Kw	C=50mm	A=20mm B=70mm